

Please wait for menu to be constructed

Drop Connectors & Accessories

"F" Series Female Splice Connectors

"F" Female Splice

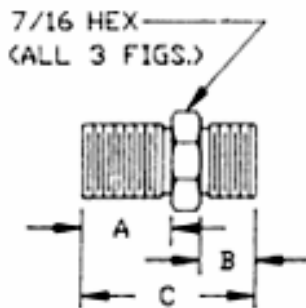


FIG. A

Dimension Information In F.P.S (U.S)

[Display in metric standards \(C.G.S\)](#)

Catalog No	Fig.	Description	Dim A (In.)	Dim B (In.)	Dim C (In.)
KF81D	A	Precision Splice*	0.458	0.352	0.960

*ACCEPTS .032-.040 DIA PIN

Packaging Information

Catalog#	Unit Quantity	Standard Quantity Package	Weight (lbs.)	Weight UOM
KF81D	100	2000	1.550	Per 100

[Smart Search Results](#) [View Product Category](#)

[Print Back](#)